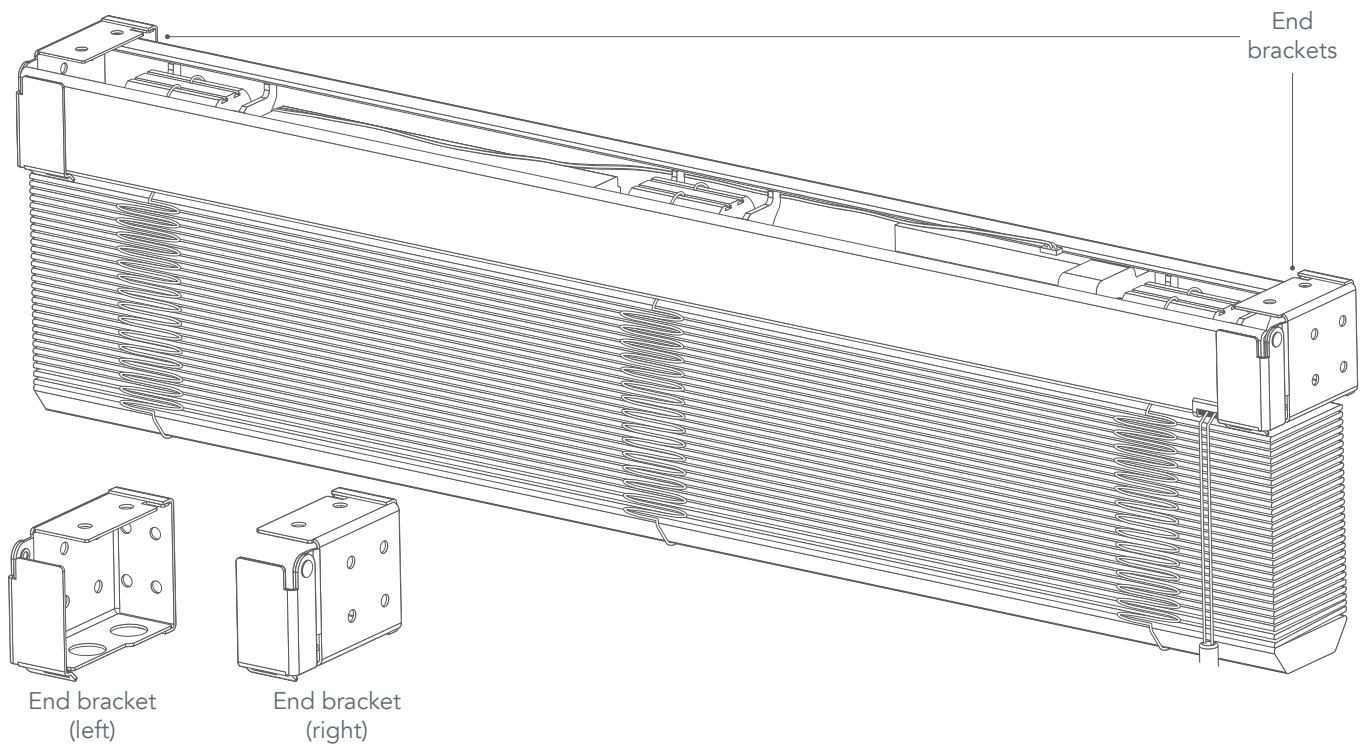


Top-Tip

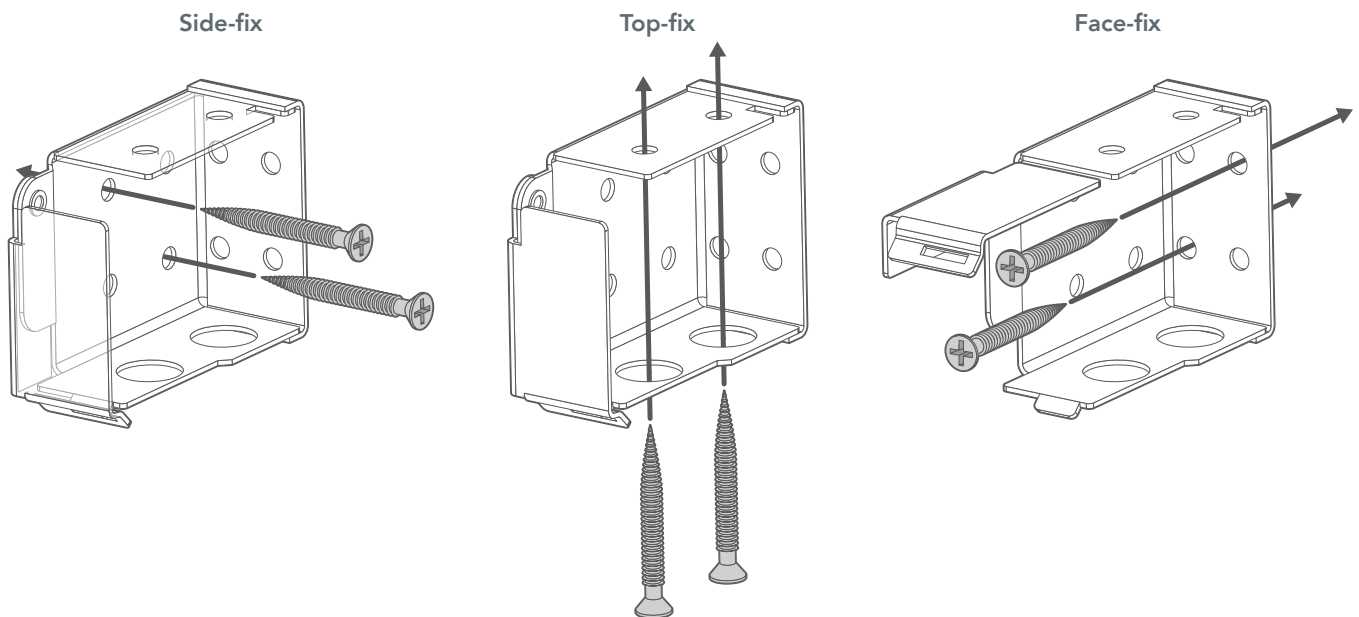
If you chose our Electric Tilt upgrade when you ordered, there is further information on the remote control and its functions on pages 6, 7 & 8 of this guide. Note that whether you chose manual or electric tilt, the fittings and installation process are the same.

Fitting the end brackets

1

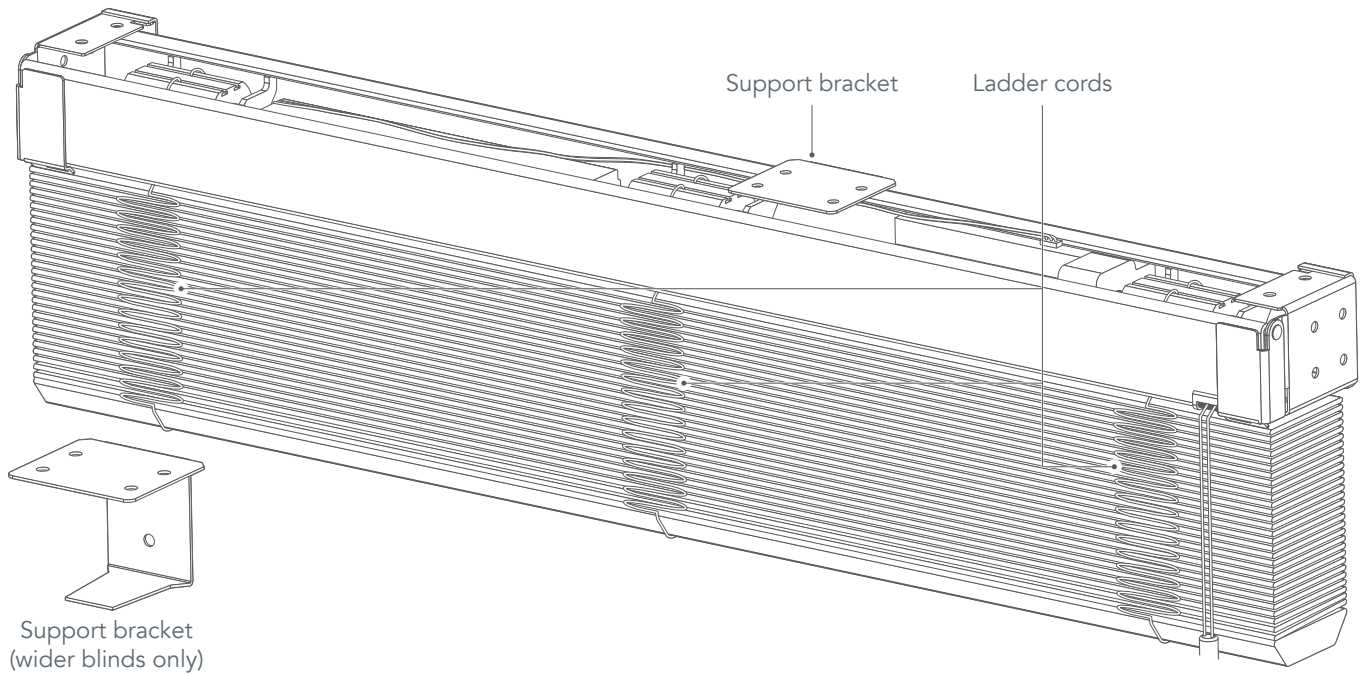


The end brackets are universal, offering 3 methods of fitting:

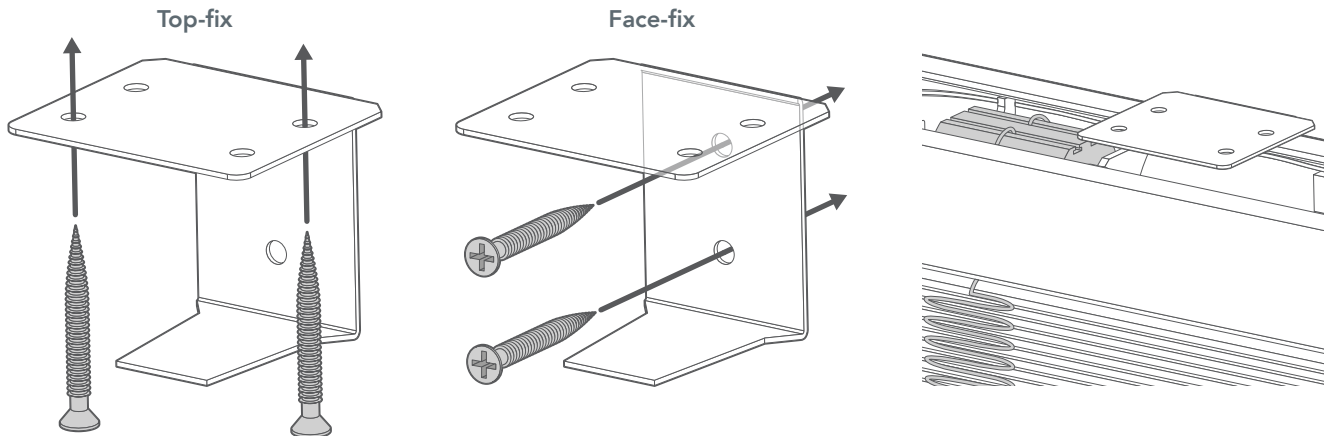


If you are fitting the blind inside a recess, then the end brackets can be **side-fixed** onto the side walls of the recess, or **top-fixed** onto the underside of the lintel. If you are fitting the blind outside the recess, the brackets can be **face-fixed** onto the wall.

Fitting the support brackets (wider blinds only)

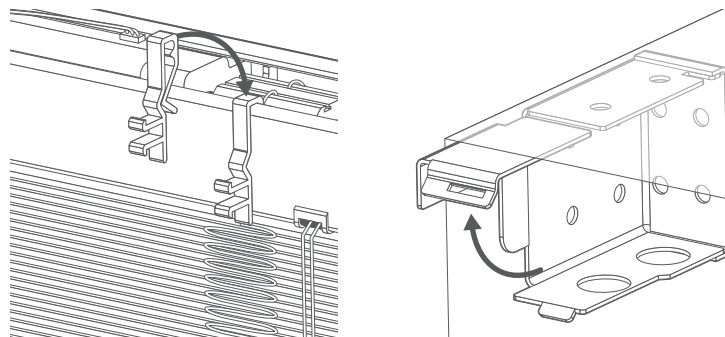
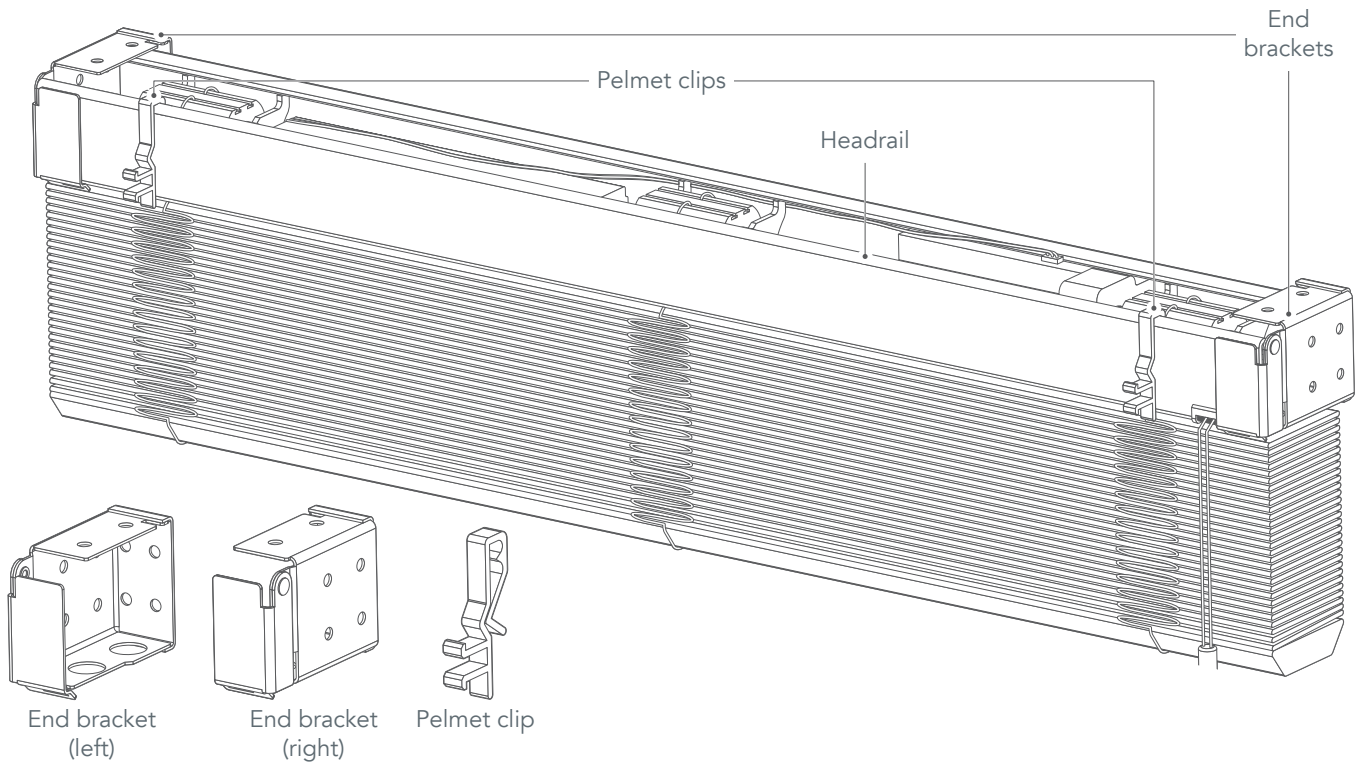


Support brackets are provided for wider blinds, to support the centre of the blind's headrail.

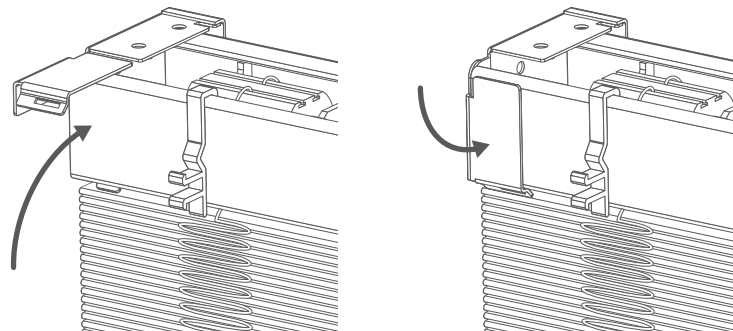


If you are fitting the blind inside a recess, the support brackets can be **top-fixed** onto the underside of the lintel. If you are fitting the blind outside the recess, the brackets can be **face-fixed** onto the wall. Before finalising precisely where you'll fit the bracket, check that the bracket won't be located in such a way that it will interfere with the blind's ladder cords. If your blind has 4 sets of ladder cords, the support bracket can be fitted in the centre, between the two centre sets of cords. If your blind has 3 or 5 ladder cords, the support bracket should be offset a little to one side (mark the screw holes on the wall around 15mm to the left or right of the centre).

Fitting the blind

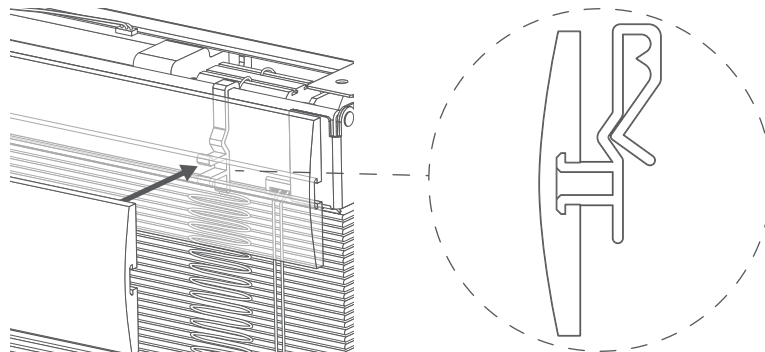
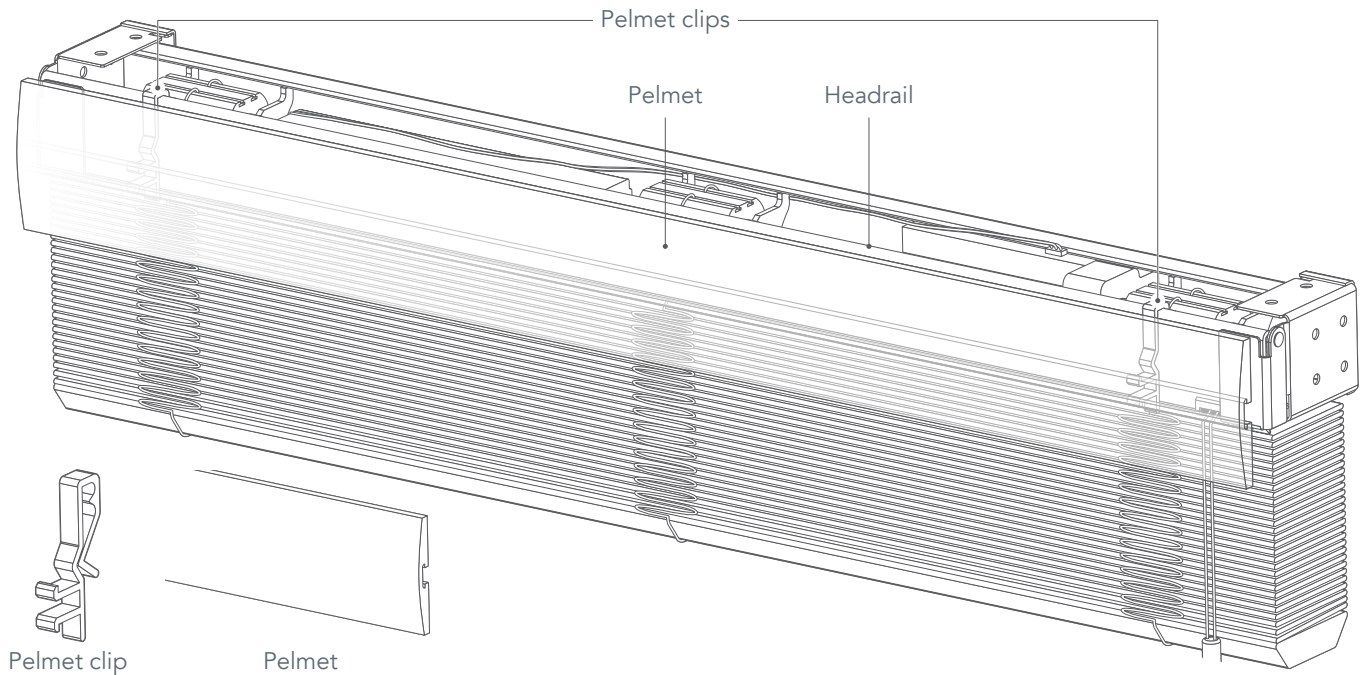


Hook the pelmet clips onto the front of the blind's headrail, evenly spaced. Then, open the hinged front section of the end brackets. The hinged section locks tightly when closed, so push up hard against the underside of the bracket whilst opening it to make it easier.

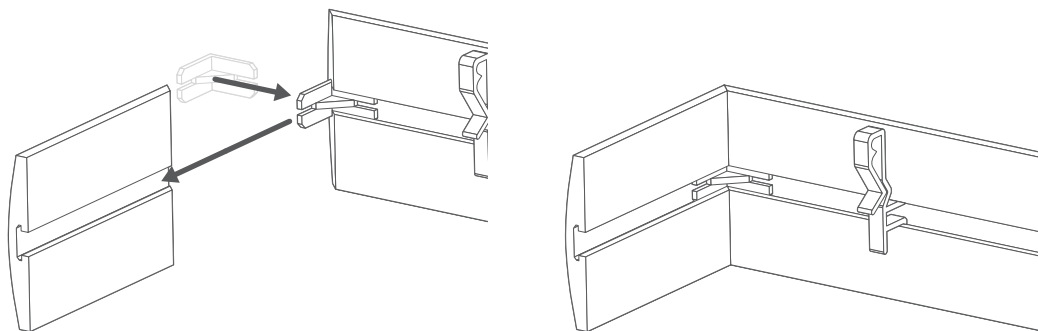


Hook the pelmet clips onto the front of the blind's headrail, evenly spaced. Then, open the hinged front section of the end brackets. The hinged section locks tightly when closed, so push up hard against the underside of the bracket whilst opening it to make it easier.

Fitting the pelmet



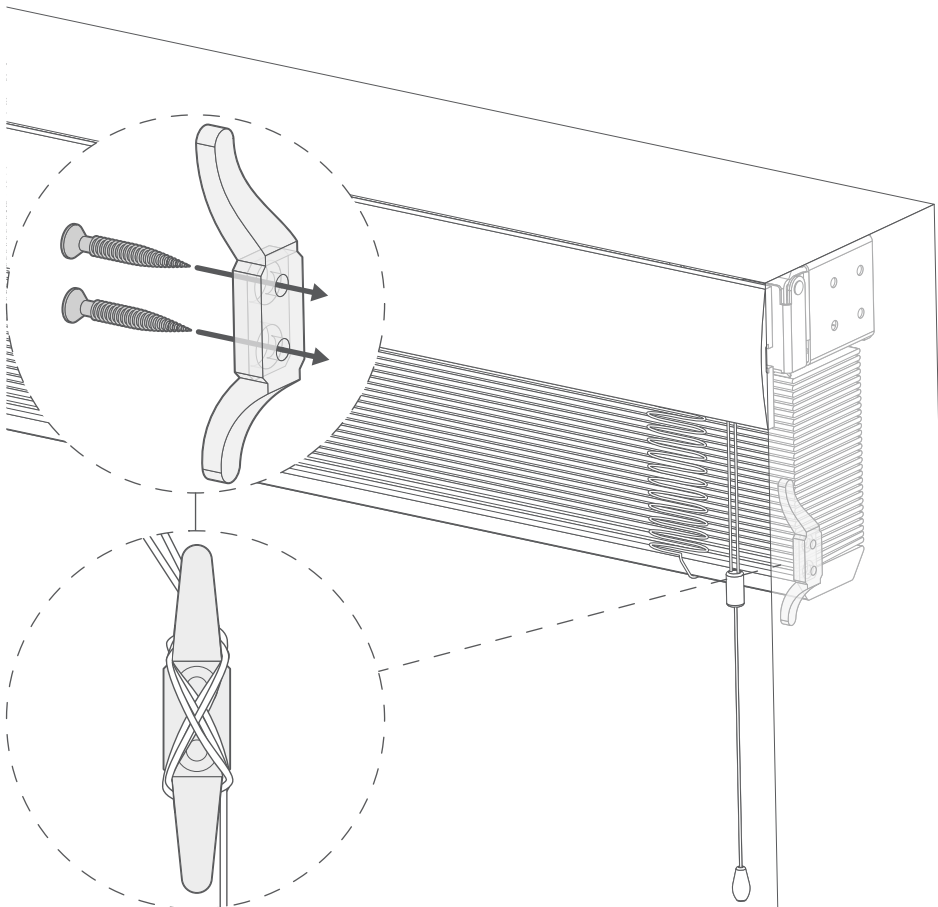
Line up the pelmet with the pelmet clips you hooked onto the headrail, so that the 'prongs' on the front of the clips align with the channel along the back of the pelmet. Push the pelmet against the clips until the prongs snap into place inside the channel.



If you selected 'Exact fitting' when you ordered, then your pelmet will be mitred at the ends, and provided with end-pieces to attach to either end. Use the L-shaped clips provided to connect the end pieces to the pelmet, so that you can cover the brackets at the ends of the blind. If you are fitting the blind inside a recess then the end pieces are not required.

Child safety

5



Young children can be strangled by loops in pull cords, chains, tapes and inner cords that operate the product.

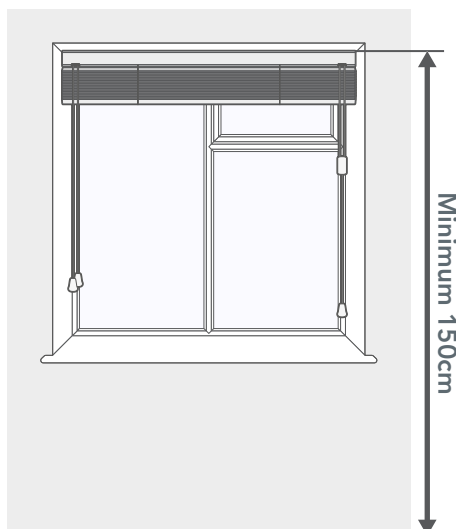


To avoid strangulation and entanglement, keep cords out of the reach of young children. Cords may become wrapped around a child's neck.

Move beds, cots and furniture away from window covering cords.

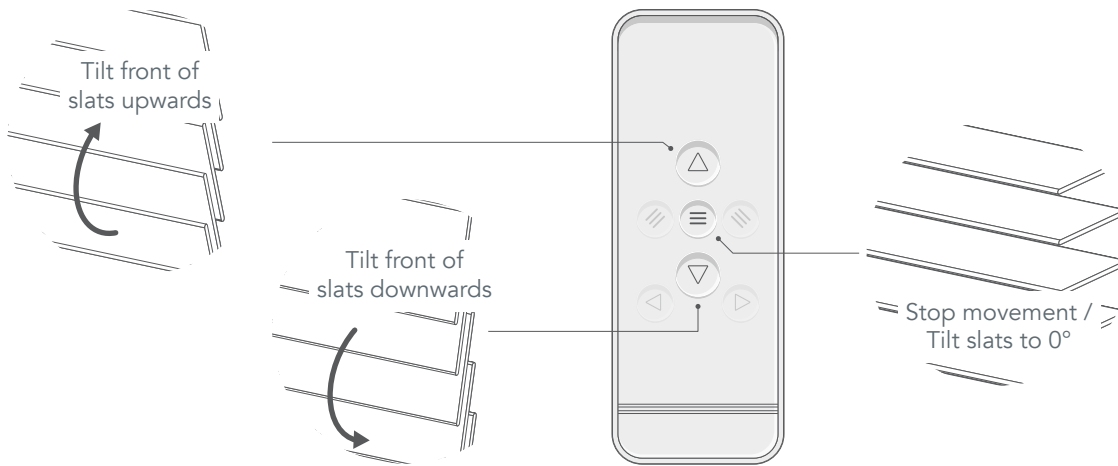
Do not tie cords together. Make sure cords do not twist and create a loop.

The blind is provided with a safety cleat, to wrap the lift cord around when the blind is not in use, especially when the blind is raised.



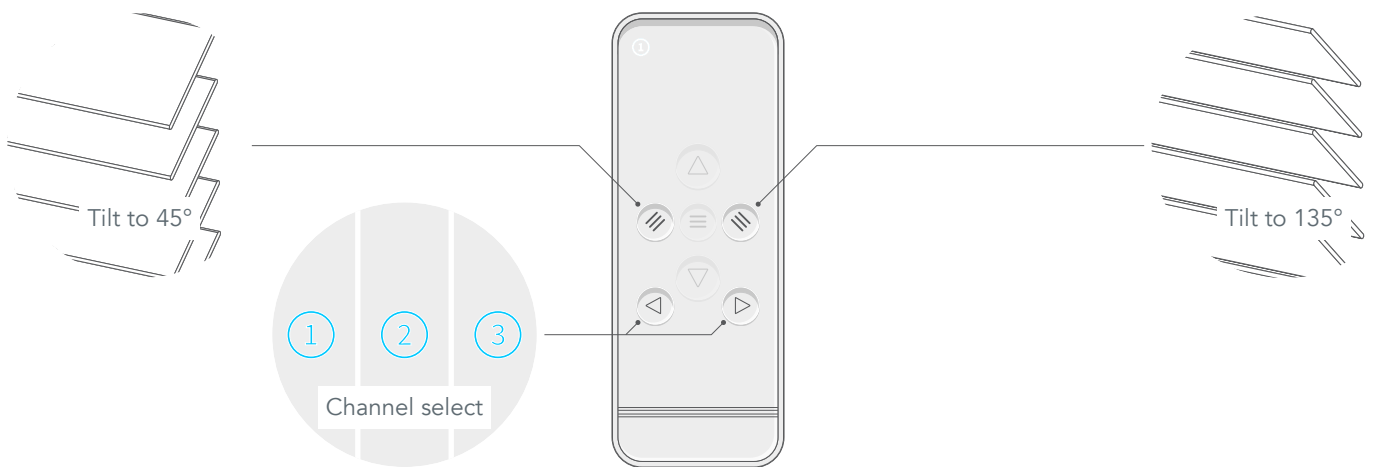
For safety reasons, always ensure that the top of the blind is installed at least 150cm (1500mm) from the floor. the safety cleat should be installed on the wall next to the blind, as close to the blind's headrail as possible.

Using the remote control (electric upgrade only)



The remote control will be pre-programmed to the blind with which it is packed, so there will be no need for you to pair it with the blind yourself. Pressing the 'up' button once will activate the motor, turning the front of the slats upwards until they reach their upper limit. Pressing the 'down' button will move the slats the other way, again continuing until they reach the lower tilt limit. You can press the 'stop' button at any point to stop the slats moving.

If you press the 'stop' button whilst the blind is still, the slats will turn automatically to 90° (fully open) from whatever position they're currently in.



There are 2 pre-set positions for the slats to rest in, already programmed for you. You can tilt the slats to 45° or 135° with one press of either of these buttons.

If you have multiple Electric Wooden Blinds, then the multi-channel remote will have those blinds programmed to separate channels. Press the 'channel select' buttons to switch between different channels.

Changing the automatic limit positions (electric upgrade only)

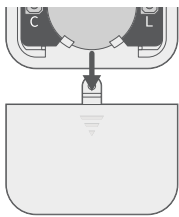
7

The 'automatic limits' of the blind are the two positions in which the slats will automatically stop moving once they reach those positions. There is an 'upper limit', where the slats stop with their front edges pointing upwards, and a lower limit, where they point downwards.

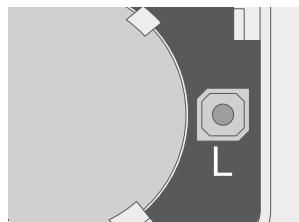
These limits are pre-set during manufacture, so there should be no need for you to change them. If you'd like to tweak these positions though for any reason, just follow the steps below.

Top-Tip

Note that once you start the setting process, the blind will switch to programming mode - it will remain in programming mode until both the upper and lower limits are both set and the process completed. The lower limit will be set first, then the upper.



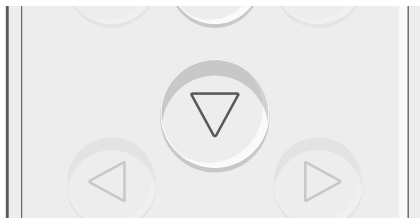
Open the battery compartment at the back of the remote control to reveal the programming buttons inside.



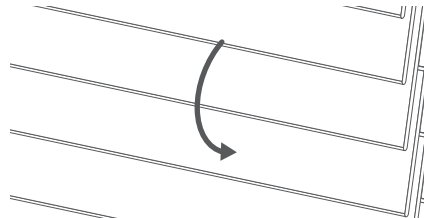
Press and hold the 'L' button.



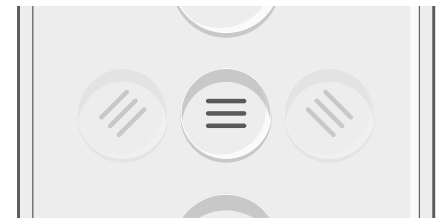
Continue holding until the blind beeps and jogs up and down briefly. The blind is now in programming mode.



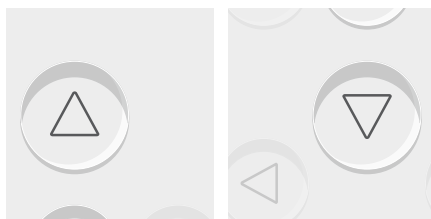
Press the down button, and the slats will begin to tilt downwards.



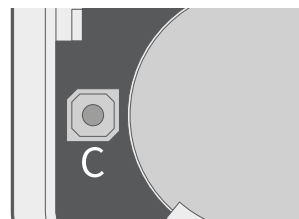
Allow the slats to continue tilting down until they're close to where you'd like them to stop.



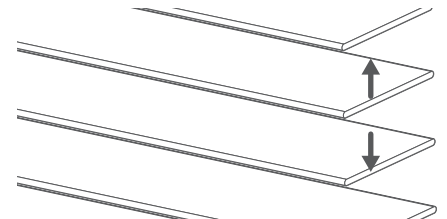
Press the stop key; this will put the motor in fine-tuning mode.



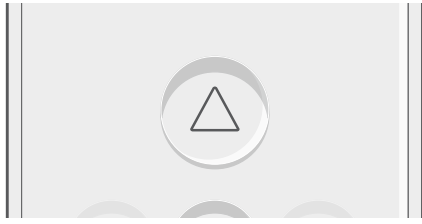
Use the up and down buttons to finely adjust the blind's position.



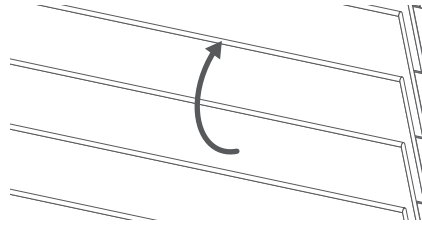
Press the 'C' button.



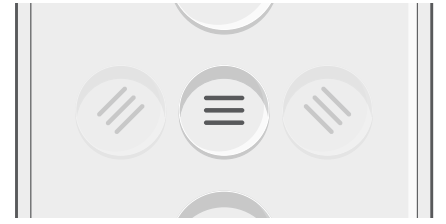
The blind will beep and jog up and down briefly. The lower limit position is now set, but the blind remains in programming mode until the upper limit is also set.



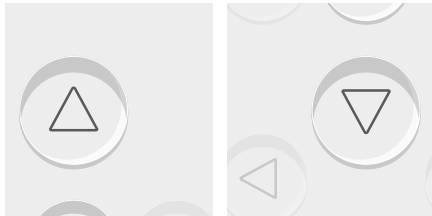
Press the up button, and the slats will begin to tilt upwards.



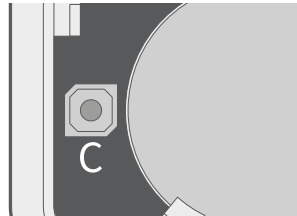
Allow the slats to continue tilting up until they're close to where you'd like them to stop.



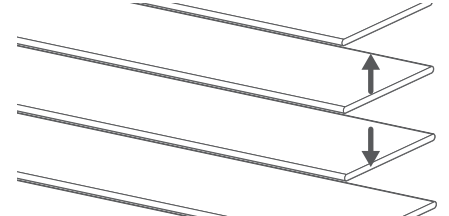
Press the stop key; this will put the motor in fine-tuning mode.



Use the up and down buttons to finely adjust the blind's position.



Press the 'C' button.



The blind will beep and jog up and down briefly. The upper limit position is now set and the limit setting process complete. The blind has now returned to normal use mode.